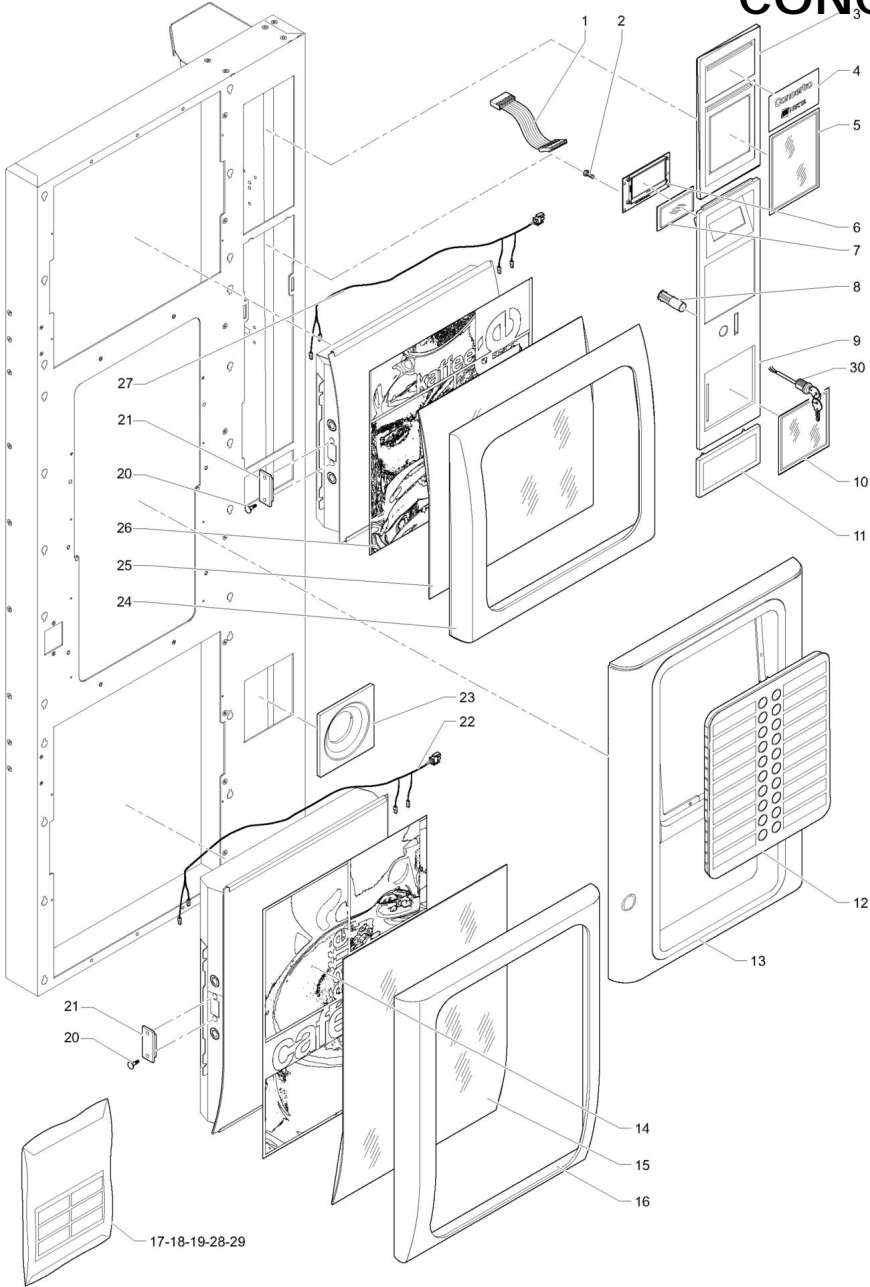
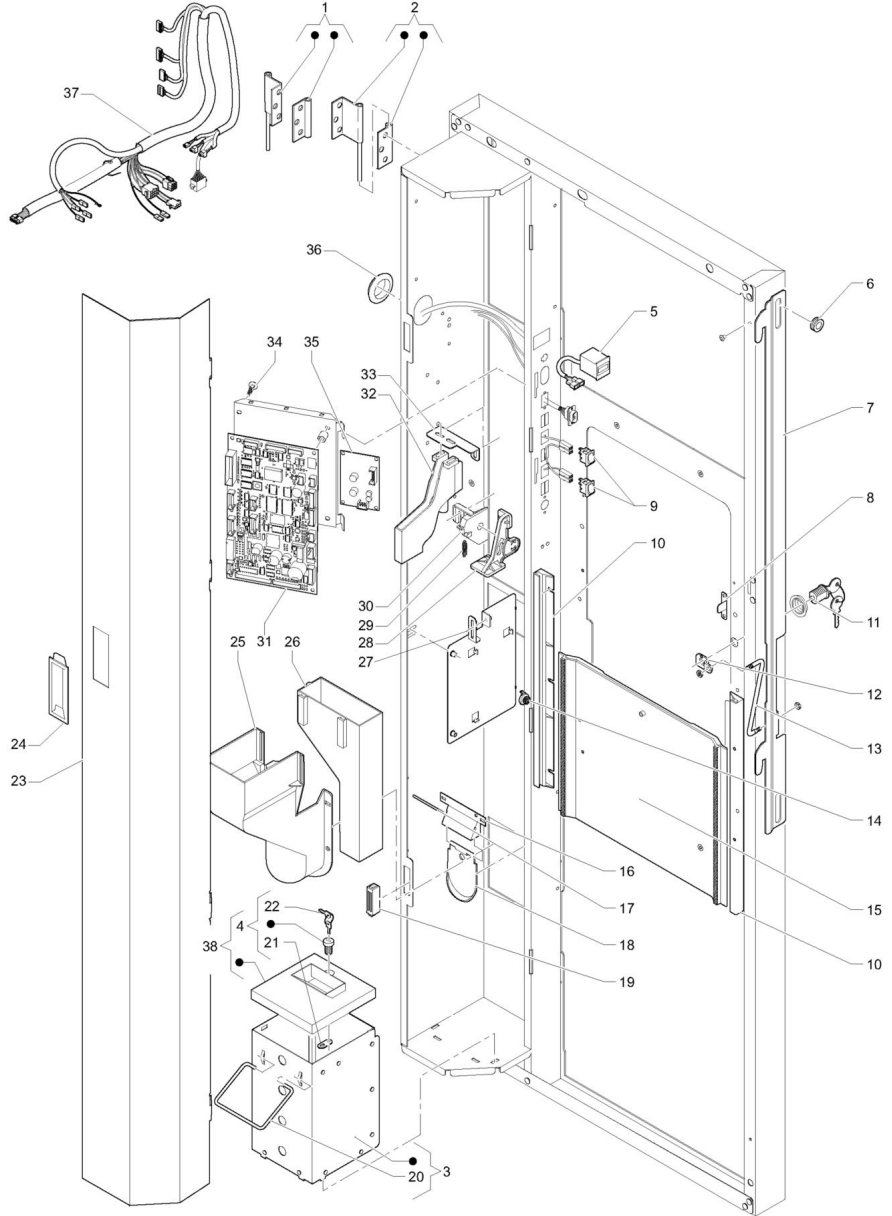


# CONCERTO - 220V 50HZ



Pos.	Item	Repl. by	Description	Notes	Price (EUR)
0001	253920		DISPLAY WIRING		13.73
0002	255724		SELF-TAPPING SCREW 4X8		0.05
0003	255678		TOP TILE		11.63
0004	255807		LOGO PLATE CONCERTO		5.00
0005	255681		BANK NOTE READER PLATE HOLDER		4.90
0006	255688		GRAPHIC DISPLAY		68.34
0007	255679		DISPLAY GLASS		6.02
0008	0V4264		BLACK MONEY RETURN BUTTON		1.45
0009	255797		DISPLAY SUPPORT		22.95
0010	255799		COIN SLOT PLATE SUPPORT		11.02
0011	255798		LOCK CAP		6.63
0012	255834		TOUCH BUTTON PAD		179.22
0013	255833		CENTRAL DOOR STRIPE		110.16
0014	255806		BOTTOM PHOTO PANEL		34.17
0015	255804		CLEAR BOTTOM PANEL		15.91
0016	255796		BOTTOM DOOR STRIPE		27.03
0017	255808		PRODUCT PLATE -IT-		32.64
0018	0V3367		PRICE PLATE - EURO 0,01-		3.21
0019	255683		INSTRUCTION PLATE		5.20
0020	097298		FASTEX CLIP		0.09
0021	255723	258916	LED ASSEMBLY		
0022	255818		BOTTOM LED WIRING		7.49
0023	255680		COIN RECOVERY FRAME		5.71
0024	255795		TOP DOOR STRIPE		25.50
0025	255803		CLEAR TOP PANEL		14.69
0026	255805		TOP PHOTO PANEL		
0027	255817		TOP LED WIRING		7.49
0028	256525	258784	PRODUCT PLATES -E-		
0029	256520		PRODUCT PLATES -F-		
0029	256604		PRODUCT NAME PLATES -D-		59.16
0030	099743		FREE VEND SWITCH		81.60

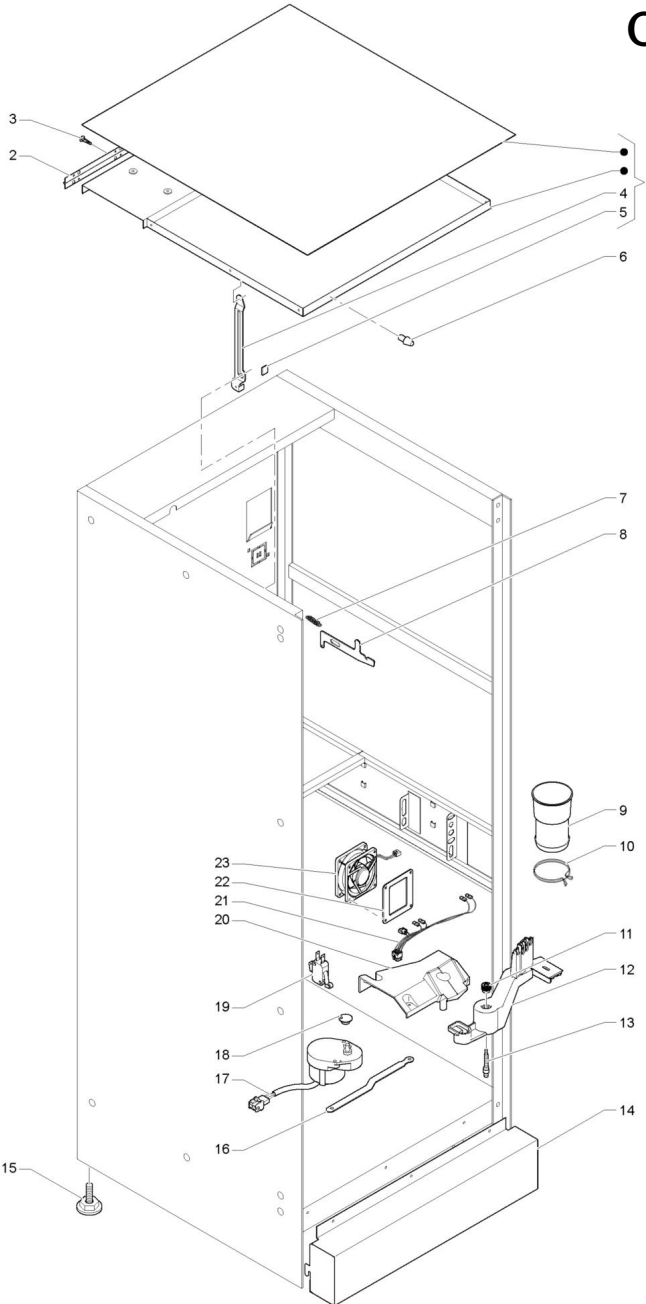
# CONCERTO - 220V 50HZ



Pos.	Item	Repl. by	Description	Notes	Price (EUR)
0001	0V3675		LEFT DOOR HINGE		11.42
0002	0V3674		RIGHT DOOR HINGE		11.63
0003	0V3687		COIN BOX		40.80
0004	090861		CYLINDER LOCK TYPE K		31.11
0005	0V2284		SCALER 24 VOLT		18.90
0006	0V2047		LOCK ROD SPACER		1.02
0007	255770		DOOR CLOSURE ROD		17.44
0008	0V3646		DOOR SWITCH ACTUATOR		1.69
0009	097807		BUTTON		2.65
0010	0V3703		SLIDER GUIDE		3.72
0011	099905		LOCK RIELDA-MOD.503-		29.00
0012	0V4217		LOCK LATCH BOLT		1.31
0013	250494		CLOSING PIN		5.30
0014	255782		HATCH BRAKE		5.00
0015	255800		DISPENSING COMPARTMENT DOOR		27.03
0016	097455		MONEY RETURN SHUTTER BRACKET		1.08
0017	093891		SHUTTER PIVOT		0.28
0018	093890		MONEY RETURN SHUTTER		1.12
0019	250182		MAGNET		2.81
0020	0V3652		COIN BOX HANDLE		2.04
0021	098551		BOLT		0.70
0022	092218		PASSE-PARTOUT LOCK K		4.59
0023	253415		BOX COVER		34.68
0024	0V3659		HANDLE		0.88
0025	0V4263		BLACK COIN RETURN CHUTE		9.18
0026	0V3708		COIN CASHING CHUTE		7.55
0027	0V3648		COIN MECHANISM STOP		1.94
0028	0V3704		COIN RETURN LEVER		2.45
0029	987839		RETURN SPRING		1.00
0030	0V3706		LEVER SUPPORT		2.60
0031	253924		CPU BOARD		227.70
0032	0V3705		COIN SLOT CHUTE		4.59
0033	0V3647		COIN SLOT CHUTE SUPPORT		1.82
0034	097175		CARD SPACER		0.20
0035	255471		CURRENT REGULATOR BOARD		24.99

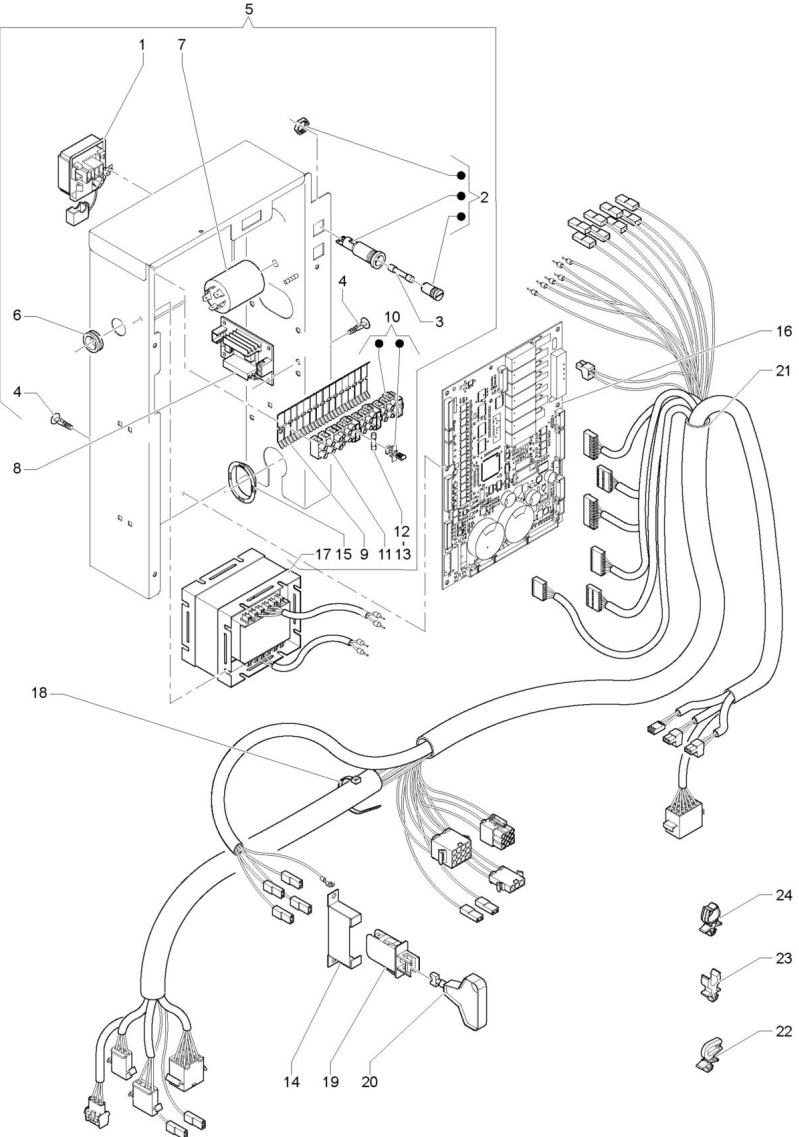
Pos.	Item	Repl. by	Description	Notes	Price (EUR)
0036	093916		WHIPPING OVAL		0.33
0037	255810		DOOR WIRING		122.72
0038	256526		ASSY. COVER COIN BOX		66.30

# CONCERTO - 220V 50HZ



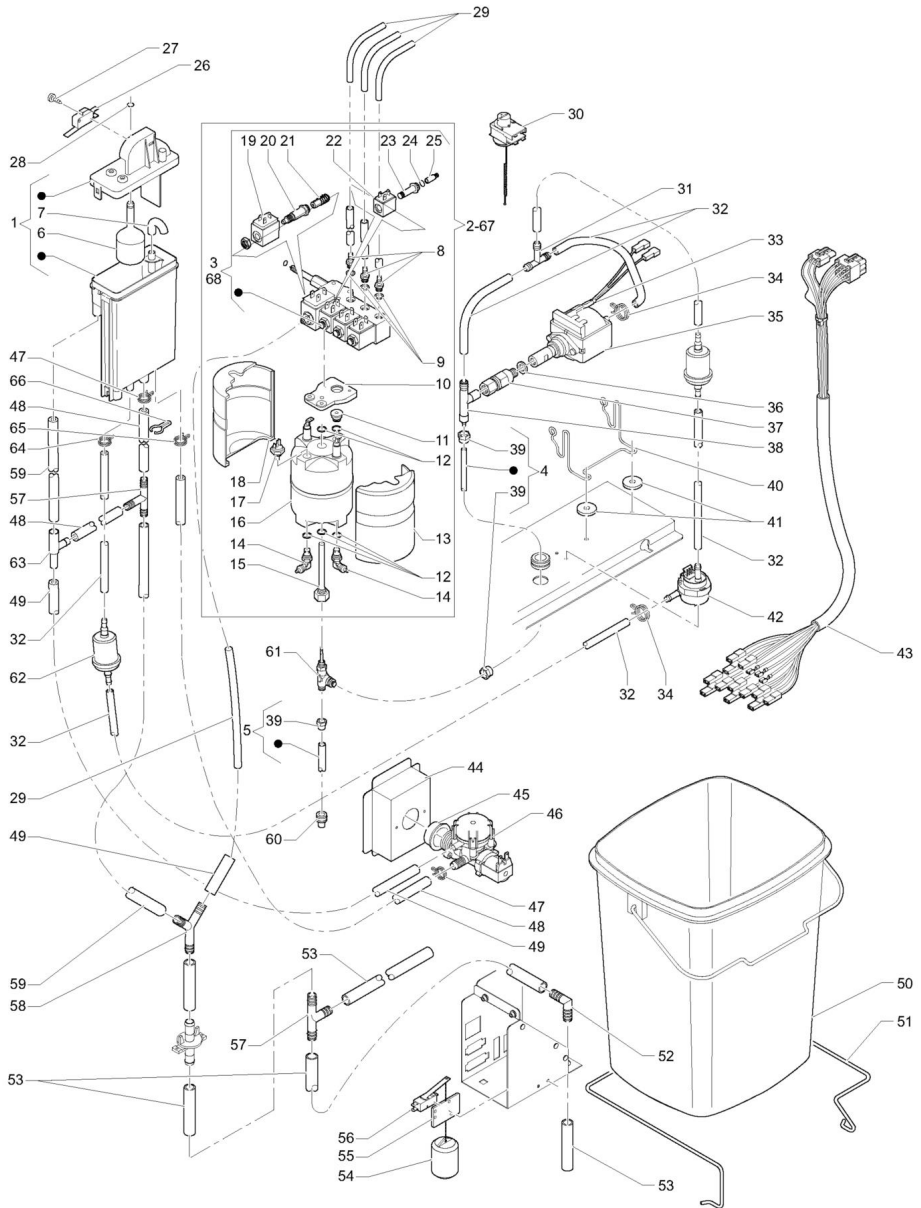
Pos.	Item	Repl. by	Description	Notes	Price (EUR)
0001	256241		OPENING TOP		106.08
0002	255823		TOP HINGE		11.83
0003	255028		SELF-TAPPING SCREW 3,9X9,5		0.07
0004	256242		TOP CLOSING ROD		3.37
0005	298165		HOOD PVC GREEN		0.46
0006	252953		TOP MACHINE STOP PIN		2.04
0007	099616		SPRING		0.56
0008	255771		DOOR BLOCK BRACKET		3.88
0009	0V3698		USED DOSE DISCHARGE PIPE		5.41
0010	094048		BAG LOCK COLLAR		1.42
0011	093828		KNURL		0.71
0012	0V4226		NOZZLE TRANSLATOR ARM		10.40
0013	0V3655		ARM ROTATION PIN		3.32
0014	255830		FOOT COVER ASSY.		58.14
0015	252124		4 FEET KIT		5.20
0016	255769		NOZZLE MOVEMENT ROD		3.77
0017	255820		NOZZLE MOTOR		37.23
0018	251519		CRANK		4.18
0019	0V1931		MICROSWITCH 'UL'		5.00
0020	255779		NOZZLE MOVEMENT COVER		10.20
0021	255814		NOZZLE ASSY WIRING		7.70
0022	253997		FAN ADHESIVE SEAL		1.78
0023	252460		FAN - 5500R/M -0.23A-		46.00

# CONCERTO - 220V 50HZ



Pos.	Item	Repl. by	Description	Notes	Price (EUR)
0001	098796		TERMINAL BOARD		3.52
0002	254852		FUSE HOLDER		23.46
0003	095636		FUSE 15 A		0.60
0004	097175		CARD SPACER		0.20
0005	255822		ELECTRIC PANEL ASSEMBLY		326.40
0006	093312		WHIPPING DIAM MM 12 ART 46		0.24
0007	0V3512		ELECTRICAL NET FILTER		14.99
0008	0V2143		BOILER CONTROL BOARD		33.15
0009	097242		SUB-TERMINAL BOARD		1.24
0010	097241		3-POLE TERMINAL BOARD W/CARRIER		3.11
0011	098793		5P TERMINAL BOARD WITH FUSE-HOLDER		3.67
0012	098170		FUSE T6,3AMP		0.34
0013	097097		FUSE 2 AMP.5X20 DELAYED ACT		0.29
0014	254850		SWITCH HOLDER		0.49
0015	093916		WHIPPING OVAL		0.33
0016	255310		CONTROLS CARD		258.75
0017	255302		TRANSFORMER		47.94
0018	090148		CLIP		0.06
0019	097796		SWITCH		9.60
0020	0V1654		SWITCH KEY		0.78
0021	255809		GENERAL WIRING -ES-		202.80
0022	098459		WIRE-CLIP		0.31
0023	098484		HOSE FIXING		0.15
0024	252968		CABLE RETAINER		0.15

# CONCERTO - 220V 50HZ

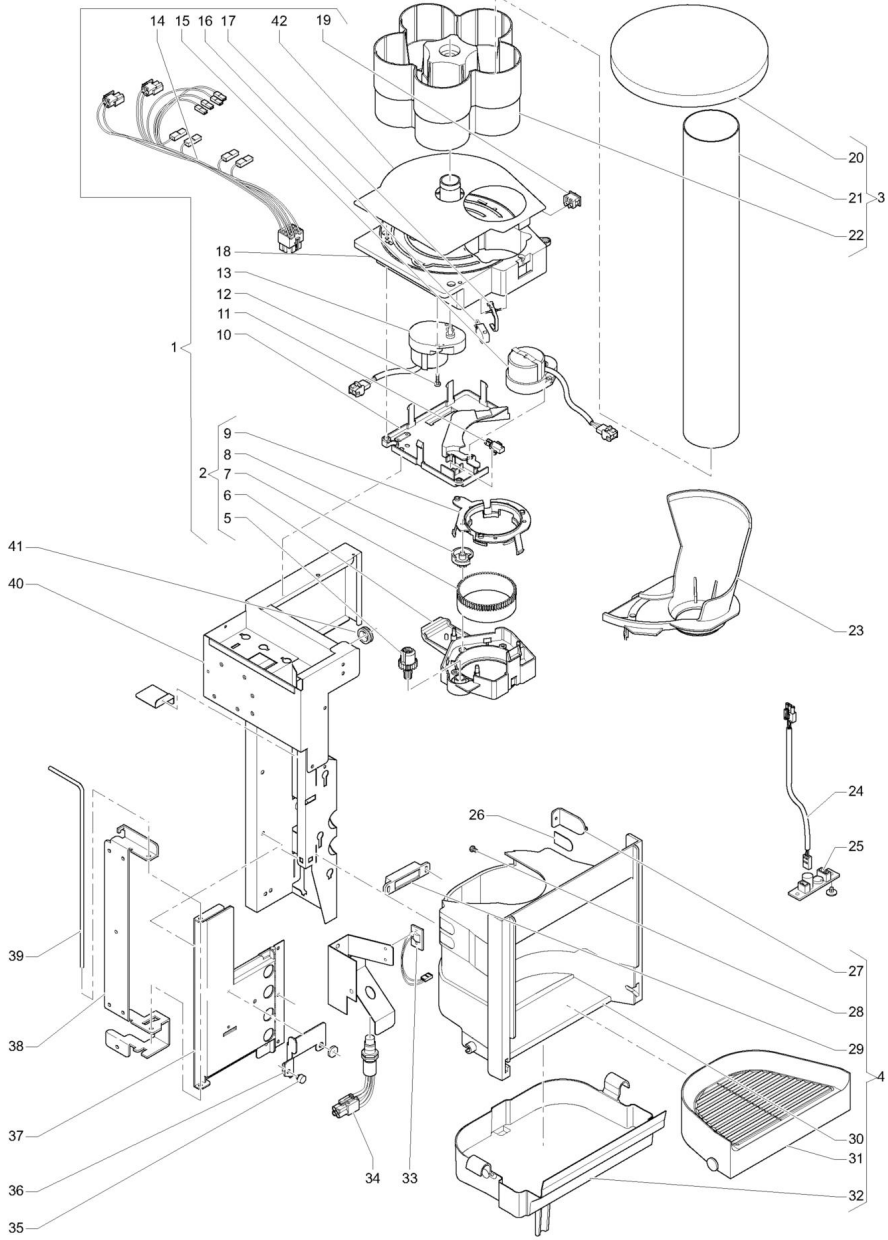


Pos.	Item	Repl. by	Description	Notes	Price (EUR)
0001	0V1133		AIR-BREAK ASSEMBLY		13.99
0002	255835	261347	BOILER ASSEMBLY 1500W 230V		
0003	255249	259925	4EV UNIT + SPOUT		
0004	255824		BOILER PUMP HOSE		16.83
0005	255825		BOILER DRAIN PIPE		11.83
0006	0V1126		AIR-BREAK FLOAT		1.06
0007	0V1749		WATER/AIR-BREAK CONNECTION		1.16
0008	099012		RUBBERHOLDER UNION		3.50
0009	094594		GASKET O-RING 2031		0.10
0010	255772		CONDUCTOR PLATE		14.69
0011	255774	261358	BOILER OUTLET FITTING		18.05
0012	257077		OR 2037-1.78X9.25		0.31
0013	255789	259082	FEMALE INSULATING SHELL		6.32
0014	255777		"L" ROTARY FITTING 1/8G		19.44
0015	255776		FITTING		32.64
0016	255832		BOILER WITH HEATING ELEMENT 1500W		114.40
0017	255248		TEMPERATURE PROBE		21.42
0018	255790	259082	MALE INSULATING SHELL		6.32
0019	255571		COFFEE COIL		14.38
0020	099105		COFFEE-ELECTROV. CONNECTION PIPE		17.75
0020	298093		COFFEE-ELECTROV. CONNECTION PIPE- HIGH PERFORMANCE-		26.00
0021	097472		3-WAY ELECTROVALVE NUCLEUS -VITON-		9.20
0022	257106		COIL POWDER 10W		7.96
0023	257105		SLEEVE W/OUT RING-VERS.24V-		14.38
0024	099059		VALVE-BUSH-GASKET		0.47
0025	099058		NUCLEUS INSTANT-E.V.		7.40
0026	0V1141		MICROSWITCH		2.00
0027	255029		SCREW M4X10		0.06
0028	090421	0V0782	GASKET OR 2025		
0029	097529		SILICONE HOSE 3X6 BROWN		1.51
0030	256249		CAPILLARY THERMOSTAT LM8 140°C		35.75
0031	094231		UNION T-SHAPE		0.56
0032	097510		SILICONE HOSE 5X9 BROWN		3.48
0033	098815		90 DEGREES THERMIC PROTECTION		8.57
0034	094329		HOSE CLIP		0.29

Pos.	Item	Repl. by	Description	Notes	Price (EUR)
0035	098760		PUMP -GLOW WIRE- BRASS-		17.10
0035	257112		PUMP 15BAR GLOW WIRE-PLASTIC-		15.90
0036	0V0782		O-RING 2025		0.07
0036	251143		ALUMINIUM WASHER		0.13
0037	099101		NO-RETURN VALVE		8.80
0038	098764		BY-PASS PUMP (12 BAR)		14.10
0039	099107		NUT		0.75
0040	0V0191		POMPE SUPPORT		4.59
0041	093091		PUMP DAMPER		0.11
0042	098707		VOLUMETRIC COUNTER D.1,8		15.60
0043	255816		BOILER WIRING-ES-		40.56
0044	255446		WATER INLET ELECTROVALVE SUPPORT		4.28
0045	099815		STOPPER		0.17
0046	097383		ELECTROVALVE WATER-INLET 220V-2,5L/ MIN-		11.80
0047	095515		HOSE CLIP DIAM 14		0.27
0048	097685		SILICONE HOSE BROWN 7,5X12		4.37
0049	097512		SILICONE HOSE 6X12 BROWN		4.90
0050	254569		BLUE GROUND BUCKET		12.24
0051	0V3653		LIQUID CONTAINER STOP		5.30
0052	255107		UNION L-SHAPE D.14MM		1.63
0053	093628		HOSE VIPLA TRANSPARENT DIAM MM14X1		1.69
0054	094294		FLOAT		5.41
0055	090681		INSULATING DISK		0.28
0056	252585		MICROSWITCH		3.21
0057	096552		UNION T-SHAPE		0.46
0058	093959		UNION Y-SHAPE DIAM 12 OUTER		0.82
0059	097515		SILICONE HOSE 10X16 BROWN		7.35
0060	251847	257049	DIAM. 6 QUICK-COUPLING		7.59
0061	255085		1/8 CONNECTION		11.42
0062	097435		WATER FILTER VOLUMETRIC COUNTER		3.45
0063	094185		CODENSE RECOVERY UNION		0.98
0064	097002		HOSE CLIP		0.19
0065	097122		HOSE CLIP		0.34
0066	093957		TUBE CLAMP		0.77

Pos.	Item	Repl. by	Description	Notes	Price (EUR)
0067	256522	261350	ASSY. BOILER 5 SOLENOIDS		418.08
0068	256521	259928	UNIT 5 SOLENOIDS+WAND		

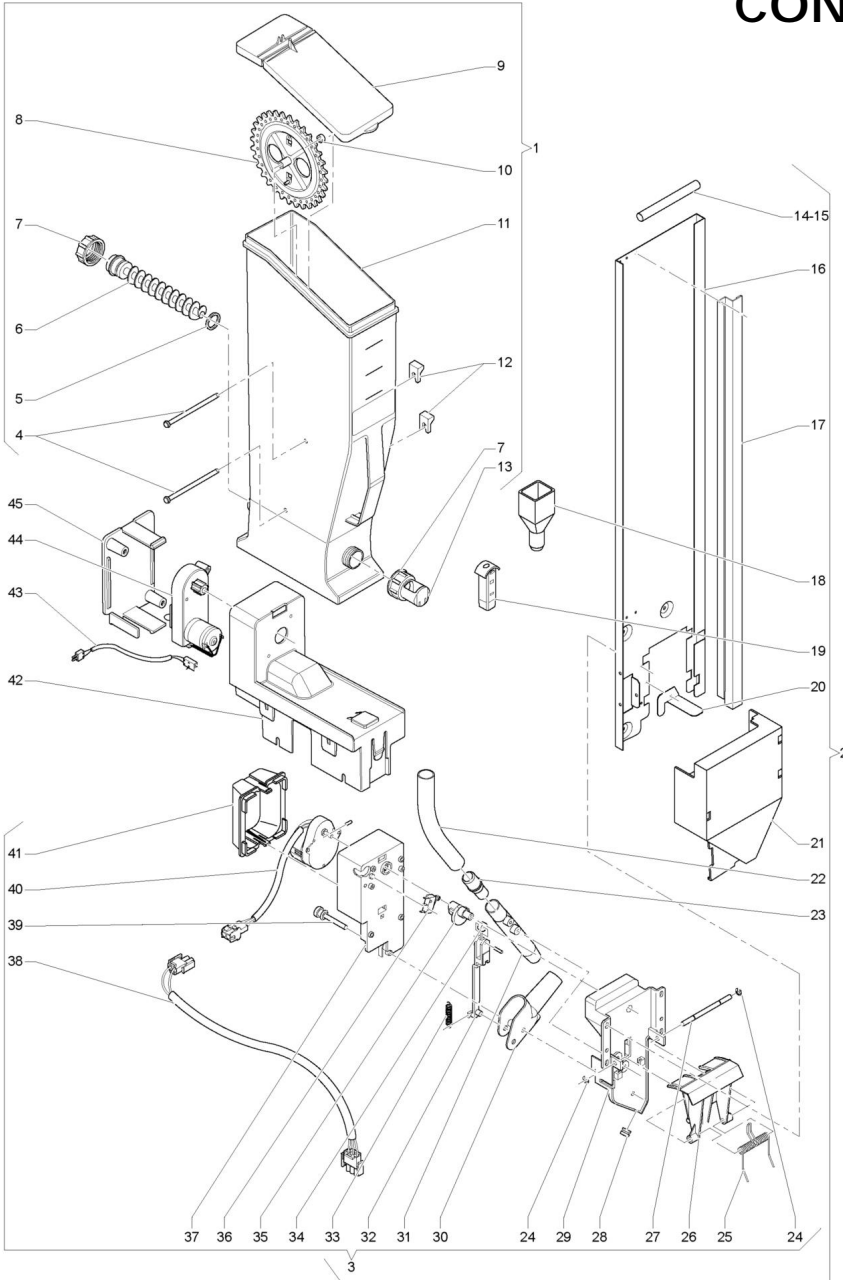
# CONCERTO - 220V 50HZ



Pos.	Item	Repl. by	Description	Notes	Price (EUR)
0001	254077		CUPS DISTRIBUTOR D.70-71		169.62
0002	0V4187		CUP RELEASING 70/71		22.95
0003	0V3679		CUP CONTAINER		51.00
0004	255831		DISPENSING COMPARTMENT ASSY		120.36
0005	0V3697		MICRO GEAR		3.11
0006	0V3695		SNAIL SUPPORT		7.90
0007	098477		TOOTHED RING		1.87
0008	098305		SCROLL DIAM.70/71		0.49
0009	0V3696		SNAIL RING		5.10
0010	0V3694		MOTOR GEARMOTOR SUPPORT		5.51
0011	0V1931		MICROSWITCH 'UL'		5.00
0012	987628		EJOT-PT-SCREW 3X8		0.05
0013	0V3672		RATIOMOTOR		38.00
0014	254049		CUPS UNIT WIRING		14.98
0015	255251		REDUCING GEAR 3RPM 230V-50HZ		18.85
0016	092439		MICRO TYPE 'CHERRY'		1.90
0017	0V2548		LEVER FOR MICROSWITCH		0.73
0018	0V3693		CUP BASE		11.02
0019	097807		BUTTON		2.65
0020	0V3658		CUP CONTAINER COVER		3.62
0021	099415		CUP COLUMN		5.00
0022	0V4107		CONTAINER BASE		12.65
0023	250195		BLACK CUP CHUTE 70/71		6.83
0024	254050		DELIVERY AREA LAMP WIRING		8.32
0025	253945		POWER SUPPLY LED BOARD		15.61
0026	254208		CATADIOPTRIC PLATE		9.18
0027	0V3717		GLASS		1.79
0028	096977		KNURL		0.94
0029	097508		LOCKING MAGNET		4.73
0030	255801		DISPENSING COMPARTMENT BACK		33.66
0031	255802		DISPENSING COMPARTMENT GRID		17.44
0032	255781		DISPENSING COMPARTMENT BASIN		19.58
0033	254052		COMPARTMENT ILLUMINATION LED		19.58
0034	254057		WIRED 90° PHOTOCCELL		149.94
0035	092738		WEDGE BUMPER		0.72

Pos.	Item	Repl. by	Description	Notes	Price (EUR)
0036	0V3649		BRACKET LOCK-OUT LEVER		5.41
0037	0V3685		DOUBLE HINGE		31.62
0038	0V3641		HINGE SUPPORT		13.16
0039	0V3654		FULCRUM PIN		4.39
0040	0V3684		CUP STATION BRACKET		74.02
0041	093916		WHIPPING OVAL		0.33
0042	255240		CUPS RELEASE COVER		16.52

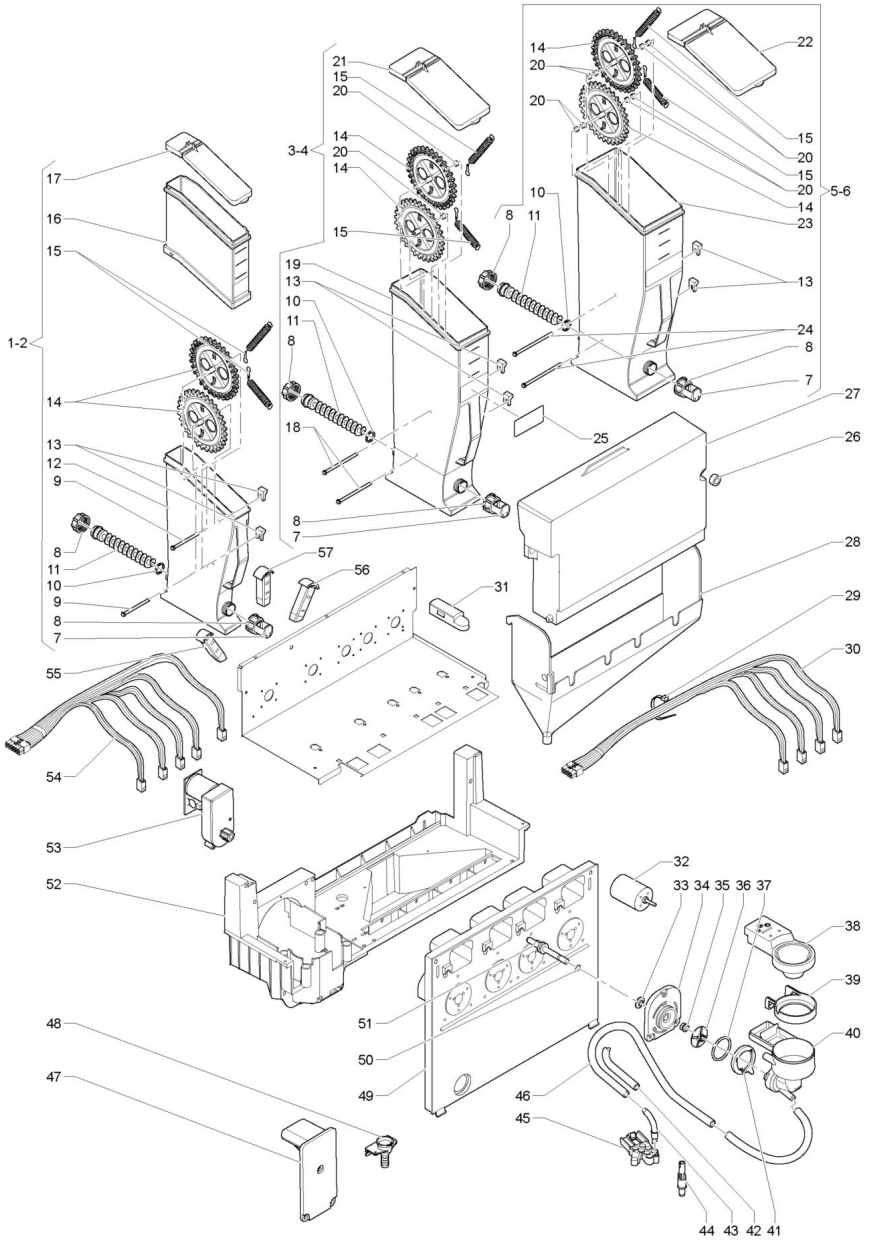
# CONCERTO - 220V 50HZ



Pos.	Item	Repl. by	Description	Notes	Price (EUR)
0001	255836		SUGAR CONTAINER 4.5L		28.56
0002	255827		SUGAR/STICK DISTR. ASSY.		157.28
0003	255826		SUGAR/STICK DISTR. ASSY. BODY		104.86
0004	254093		4.5L CONTAINER WHEEL PIVOT		3.01
0005	251962		O-RING 14		1.57
0006	254085		SCROLL PITCH 30		3.52
0007	254090		CONTAINER RING NUT		2.96
0008	254087		TOOTHED WHEEL		5.20
0009	254583		SUGAR CONTAINER COVER 4.5L		3.93
0010	254094		SPACER		1.33
0011	254562		SUGER CONTAINER CASING		14.69
0012	254089		PIN STOP		3.62
0013	254086		POWDER PIPETTE		2.40
0014	090203		STIRRER BAR WEIGHT L=95		1.39
0015	099720		STIRRER BAR WEIGHT L=105		1.26
0016	0V3636		STIRRER COLUMN 90/115		24.48
0017	0V3640		STIRRER SELECTION ROD		13.77
0018	255788		CUP STATION SUGAR PIPETTE		2.91
0019	253994		CENTRAL CONVEYOR -105MM-		2.24
0020	0V3830		STIRRING GUIDE SQUARE		1.91
0021	0V3022		STIRRER CHUTE		2.86
0022	098719		PVC PIPE 14X19(A METER)		2.50
0023	099375		HOSE COUPLING		0.60
0024	091959		BENZING COLLAR DIAM 4MM		0.05
0025	099602		SPRING		1.10
0026	099610		LEVER		3.16
0027	098352		STIRRING BARS EJECTING PIN		1.00
0028	098853		PASS-WIRE		0.41
0029	099607		BODY		3.77
0030	099721		SUGAR NOZZLE		1.45
0031	098356		SUGAR PIPE		4.59
0032	099605		ROD		0.63
0033	099616		SPRING		0.56
0034	099604		ROLLER		1.02
0035	099606		CAM		0.65

Pos.	Item	Repl. by	Description	Notes	Price (EUR)
0036	096355		MICRO SWITCH -UL -		3.57
0037	099608		SUPPORT		3.21
0038	255815		STICK DISTRIBUTOR WIRING		14.98
0039	0V2949		SUGAR SPOUT PIN		0.52
0040	255314		STIRRERS REDUCING GEAR		18.67
0041	255778		SUGAR RELEASE MOTOR COVER		2.55
0042	254535		CONTAINER SHELF		14.38
0043	254550		SUGAR DOSING UNIT WIRING		5.93
0044	254553		RATIOMOTOR		28.05
0045	254545		MOTOR HOUSING COVER		2.45

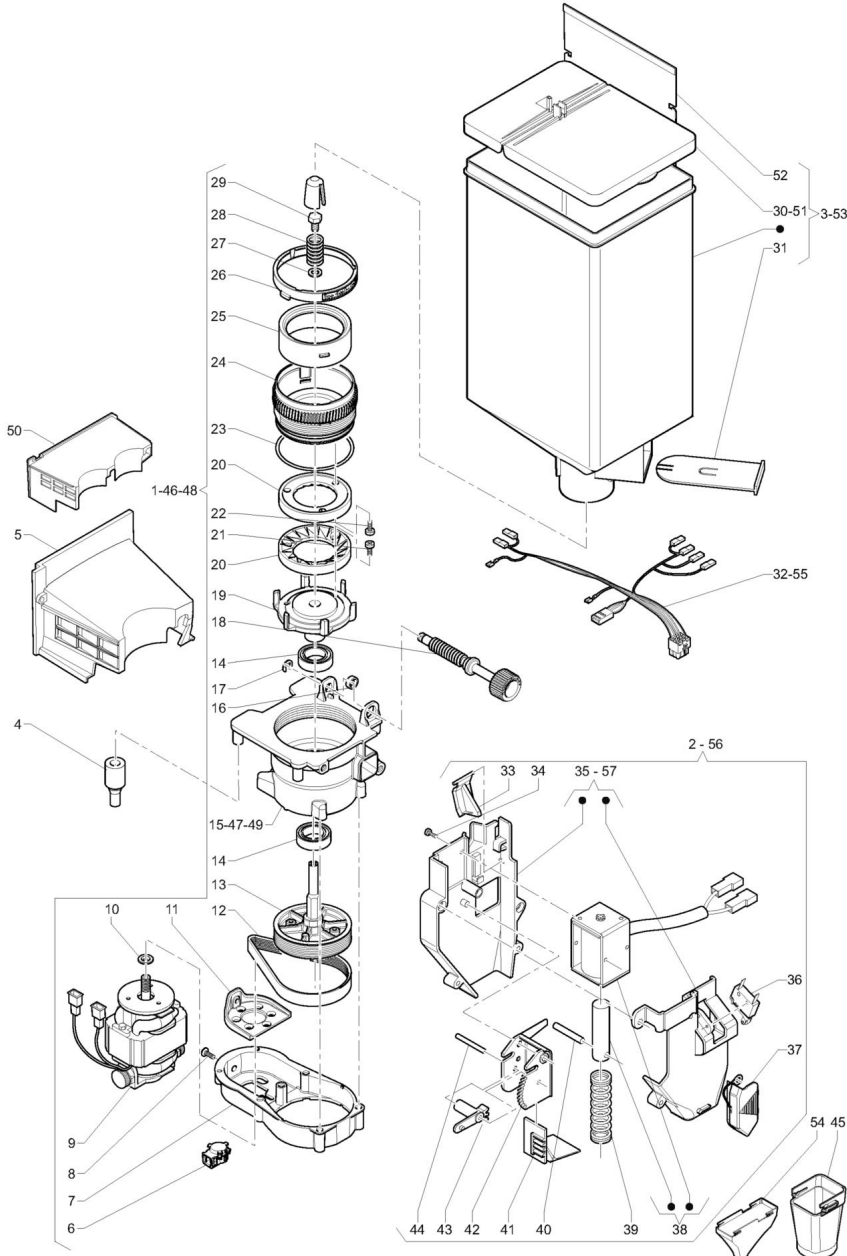
# CONCERTO - 220V 50HZ



Pos.	Item	Repl. by	Description	Notes	Price (EUR)
0001	254073		2.5L CANISTER -1 WHEEL-		35.70
0002	254574		2 SPRINGS 2 WHEELS 2.5L CANISTER		52.02
0003	254074		4.5L CANISTER -1 WHEEL-		28.56
0004	254215		4.5L CANISTER -2 WHEELS-2 SPRINGS-		49.98
0005	254075		6L CANISTER -2 WHEELS-2 SPRINGS-		48.96
0006	254214		6L CANISTER -1 WHEEL-		27.54
0007	254086		POWDER PIPETTE		2.40
0008	254090		CONTAINER RING NUT		2.96
0009	254088		2.5L CONTAINER WHEEL PIVOT		3.16
0010	251962		O-RING 14		1.57
0011	254085		SCROLL PITCH 30		3.52
0012	254082		2.5L LOWER CONTAINER CASING		19.80
0013	254089		PIN STOP		3.62
0014	254087		TOOTHED WHEEL		5.20
0015	254419		BEATER SPRING		12.65
0016	254084		2.5L UPPER CONTAINER CASING		12.65
0017	254083		LID FOR 2.5L CONTAINER		5.81
0018	254093		4.5L CONTAINER WHEEL PIVOT		3.01
0019	254091		4.5L CONTAINER CASING		27.03
0020	254094		SPACER		1.33
0021	254092		LID FOR 4.5L CONTAINER		6.32
0022	254096		LID FOR 6L CONTAINER		8.36
0023	254095		6L CONTAINER CASING		26.52
0024	254097		6L CONTAINER WHEEL PIVOT		3.11
0025	097502		NAMEPLATE GROUP CONTAINER INSTANT P		1.26
0026	0V3126		MAGNET		2.24
0027	255784		MIXER COVER		24.48
0028	255780		MIXER BOWL		21.42
0029	090148		CLIP		0.06
0030	255812		MOTORWHISK WIRING		15.29
0031	254719		HEATED CONTAINER STOP		1.57
0032	254842		MOTORMIXER WITH BOARD		34.50
0033	39733800		MIXER WHISK BUSHING		0.29
0034	255821		MIXER FLANGE		5.81
0035	259612		V RING SEAL -BROWN-		0.33

Pos.	Item	Repl. by	Description	Notes	Price (EUR)
0036	253991		MIXER VENTILATOR		1.16
0037	253985		GASKET OR 3137		2.90
0038	255792		MIXER COVER		3.21
0039	255284		MIXER RING		3.35
0040	255791		MIXER BODY		3.57
0041	253998		MIXER RING NUT		1.16
0043	254822		BLUE NOZZLE		0.71
0044	254400		BLUE COFFEE DISPENSING SPOUT		2.81
0045	250163		SPOUT SUPPORT		3.26
0047	254001		MIXER PLUG		4.28
0048	250468		TRAY FUNNEL		0.99
0049	255793		MIXER FRONT PLATE		31.11
0050	253984		GASKET OR 2021		0.51
0051	255787		MIXER NOZZLE D=2.3 9-11CC		2.24
0052	255794		GRINDER -CONTAINER SUPPORT		59.16
0053	254058		MOTORDOSER		26.50
0054	255811		DOSER WIRING -ES-		16.54
0055	253995		RIGHT POWDER FEEDER L=120MM		1.99
0056	253996		LEFT POWDER FEEDER L=120MM		2.40
0057	253994		CENTRAL CONVEYOR -105MM-		2.24

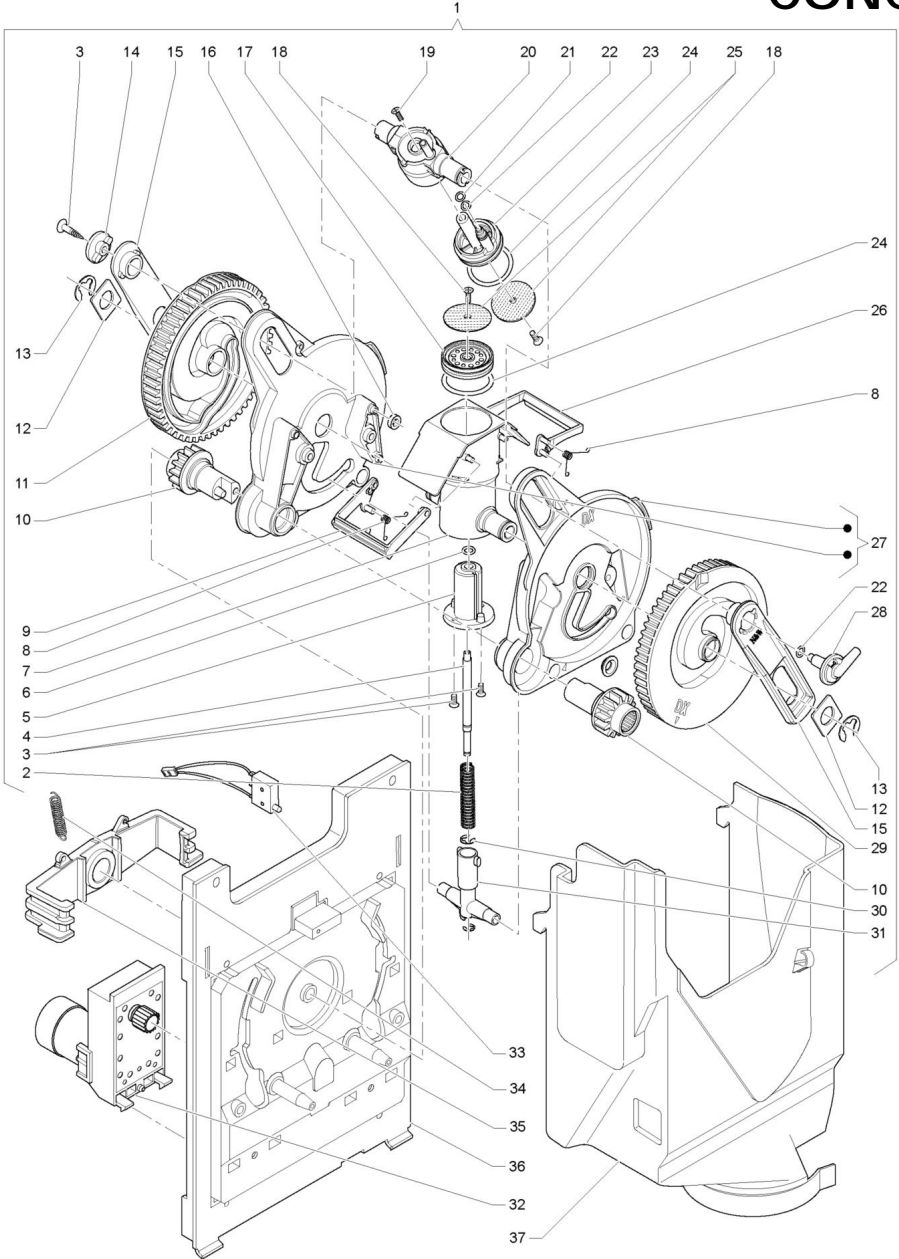
# CONCERTO - 220V 50HZ



Pos.	Item	Repl. by	Description	Notes	Price (EUR)
0001	255243		COUNTER-CLOCKWISE GRINDER		219.30
0002	254424		COFFEE DOSER -FASTON-		62.71
0003	0V3681		COFFEE CONTAINER		28.56
0004	099484		LITTLE RUBBER		0.40
0005	255786		GRINDER MOTOR COVER		10.61
0006	251778		FEELER BOARD		17.44
0007	298147		REDUCER BODY		6.32
0008	298143		SCREW M5X16		0.11
0009	255247		GRINDER MOTOR		37.74
0009	261213		BRUSHES		1.63
0010	254843	255491	BELT RETAINER WASHER		
0011	298144		BELT SLIDE		4.90
0012	298152		BELT		23.00
0013	298151		PULLEY ASSEMBLY		12.44
0014	298155		RADIAL BEARING		7.34
0015	298148		GRINDER CAP -1 COFFEE-		29.07
0016	099457		WASHER		0.66
0017	093171		OUTER FIXING COLLAR DIAM MM6		0.06
0018	099474		REGULATION SCREW		2.35
0019	298145		GRINDER-HOLDER FAN		7.96
0020	095840		GRINDER		14.40
0021	255032		TREFOIL SCREW M4X10		0.07
0022	255033		SELF-TAPPING SCREW 4X10		0.09
0023	095805		GASKET O-RING		0.29
0024	298149		GRINDER HOLDER		12.04
0025	298146		GRINDER COLLAR		5.92
0026	298150		ADJUSTMENT SCALE		4.59
0027	096988		WASHER		0.05
0028	099471		SPRING		0.96
0029	099472		LEFT SCREW		1.39
0030	0V0421		COVER		2.50
0031	098630		ROLL-UP FOR CONTAINER		1.57
0032	255813		GRINDER WIRING -FASTON-		14.98
0033	099475		ACTUATOR		0.27
0034	092657		CLOSS SLOT SCREW 3X6TC		0.06

Pos.	Item	Repl. by	Description	Notes	Price (EUR)
0035	251128		COFFEE DOSER-BODY		7.14
0036	0V2131		BURGESS MICRO-SWITCH -FASTON-		2.91
0037	254834		SIDE BATCHER LID		1.72
0038	098716		ELECTROMAGNET 220V -FASTON-		33.00
0039	098696		SPRING DOSER ELECTROMAGNET		0.28
0040	093832		ROD PIVOT		0.22
0041	098643		RULE COFFEE-DOSES		0.59
0042	254427		SHUTTER COFFEE-DOSER+PLATE		1.45
0043	253637		LEVER FOR RULE		1.75
0044	098822		PIN FOR LEVER		0.24
0045	254521		COFFEE CONVEYOR		3.06
0046	256112		ANTICLOCKWISE RH GRINDER ASSY.- VERS.2ES		239.70
0047	256109		RH GRINDER CAP-VERS.2ES		36.72
0048	256113		ANTICLOCKWISE LH GRINDER ASSY.- VERS.2ES		234.60
0049	256110		LH GRINDER CAP-VERS.2ES		36.21
0050	255755		GRINDER MOTOR COVER 2ES		9.18
0051	255753		CONTAINER LID 2ES		9.79
0052	256108		SEPARATOR 50/50		18.67
0053	256114		COFFEE CONTAINER ASSY. 2ES		70.38
0054	258910		DOUBLE CONVEYOR		5.71
0055	256111		TWO GRINDER WIRING-FASTON-		35.88
0056	258911		DOCING UNIT ASSEMBLY REDUCED HEIGHT-FASTON-		78.13
0057	256798		DOSER BODY ASSY.-REDUCED HEIGHT-		27.03

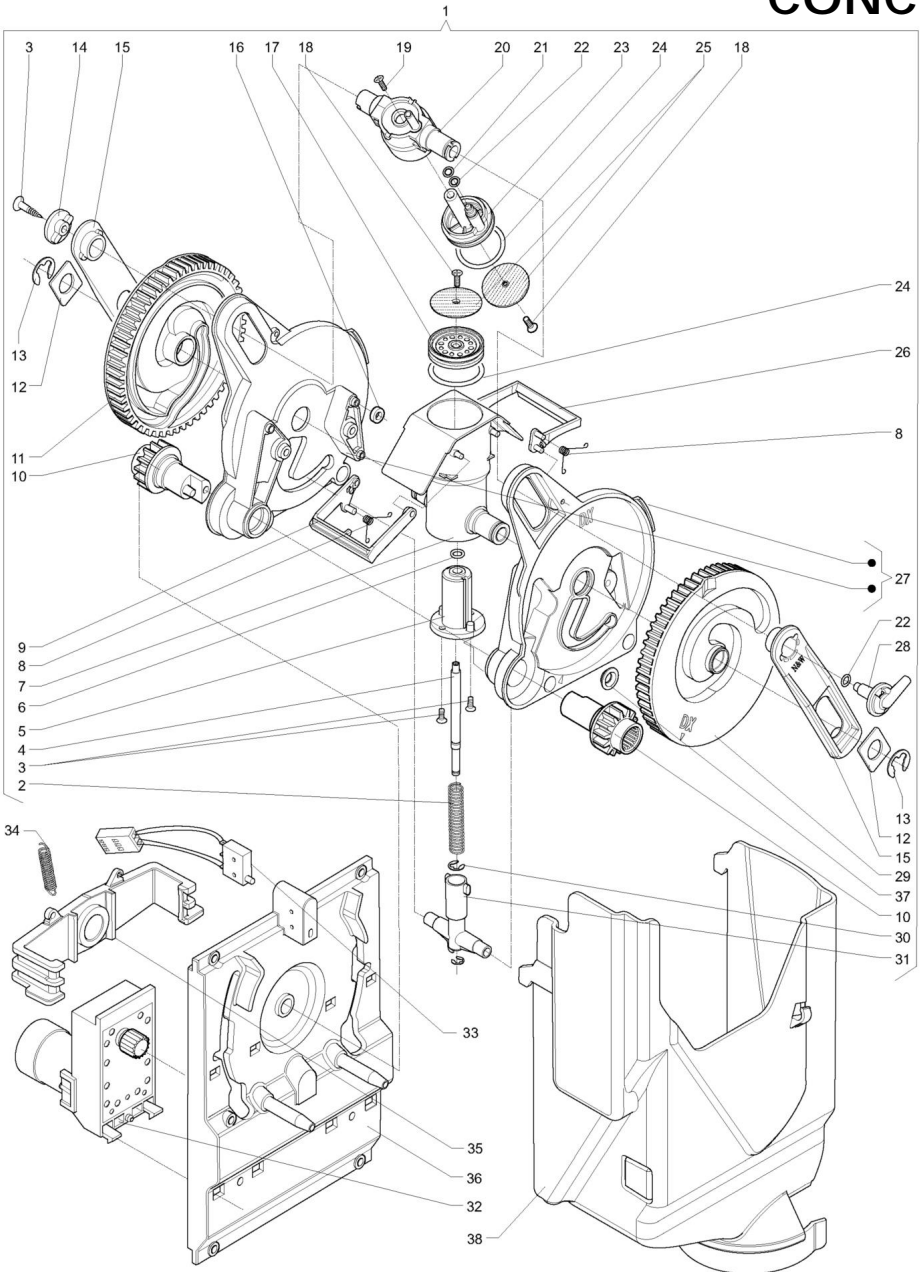
# CONCERTO - 220V 50HZ



Pos.	Item	Repl. by	Description	Notes	Price (EUR)
0001	254325		Z4000 GROUP CHAMBRE Ø38		143.52
0002	098688		PISTON RETURN SPRING		1.00
0003	255031		SELF-TAPPING SCREW 4,2X26		0.15
0004	254329		PISTON ROD D.38		3.47
0005	254648		BOTTOM D.38		1.57
0006	0V0782		O-RING 2025		0.07
0007	254646		BREWING CHAMBER D.38		11.22
0008	254328		SCRAPER SPRING		3.42
0009	254330		UPPER SCRAPER D.38		4.39
0010	254651		PINION D.38		1.85
0011	254653		LEFT CRANK D.38		5.61
0012	254654		GUIDE SLIDING BLOCK		0.67
0013	096569		FIXING COLLAR DIAM 12		0.58
0014	254655		UPPER PISTON KEY		1.99
0015	254327		TRACE FOR PISTON COMMAND D.38		3.77
0016	099457		WASHER		0.66
0017	254647		LOWER PISTON D.38		4.18
0018	255047		SCREW M3X10 -INOX-		0.08
0019	255034		PLAIN TIP SELF-TAPPING SCREW 4X12		0.08
0020	254649		UPPER PISTON CROSS-PIECE D.38		5.20
0021	254650		GASKET O-RING 1,9X2,4		0.26
0022	094611		GASKET O-RING 2018		0.08
0023	254474		UPPER PISTON		8.82
0024	093167		SILICONE GASKET OR4118		0.74
0025	098687		COFFEE FILTER		2.80
0026	254657		SCRAPER		3.62
0027	254331		RH-LH SUPPORT D.38		18.05
0028	254795		COFFEE DISPENSING SPOUT		1.85
0029	254652		RIGHT CRANK D.38		6.12
0030	098818		STOPPING RING D.4		0.14
0031	254473		PISTON ROD GUIDE D.38		2.24
0032	254552		RATIOMOTOR 24V		80.00
0033	298173		MICRO WITH WIRING		10.40
0034	253220		LEVER SPRING		0.41
0035	254523		Z4000 GROUP COUPLER		5.10

Pos.	Item	Repl. by	Description	Notes	Price (EUR)
0036	255785		PLATE Z4000 SMALL		24.48
0037	254847		COVER Z4000		15.30

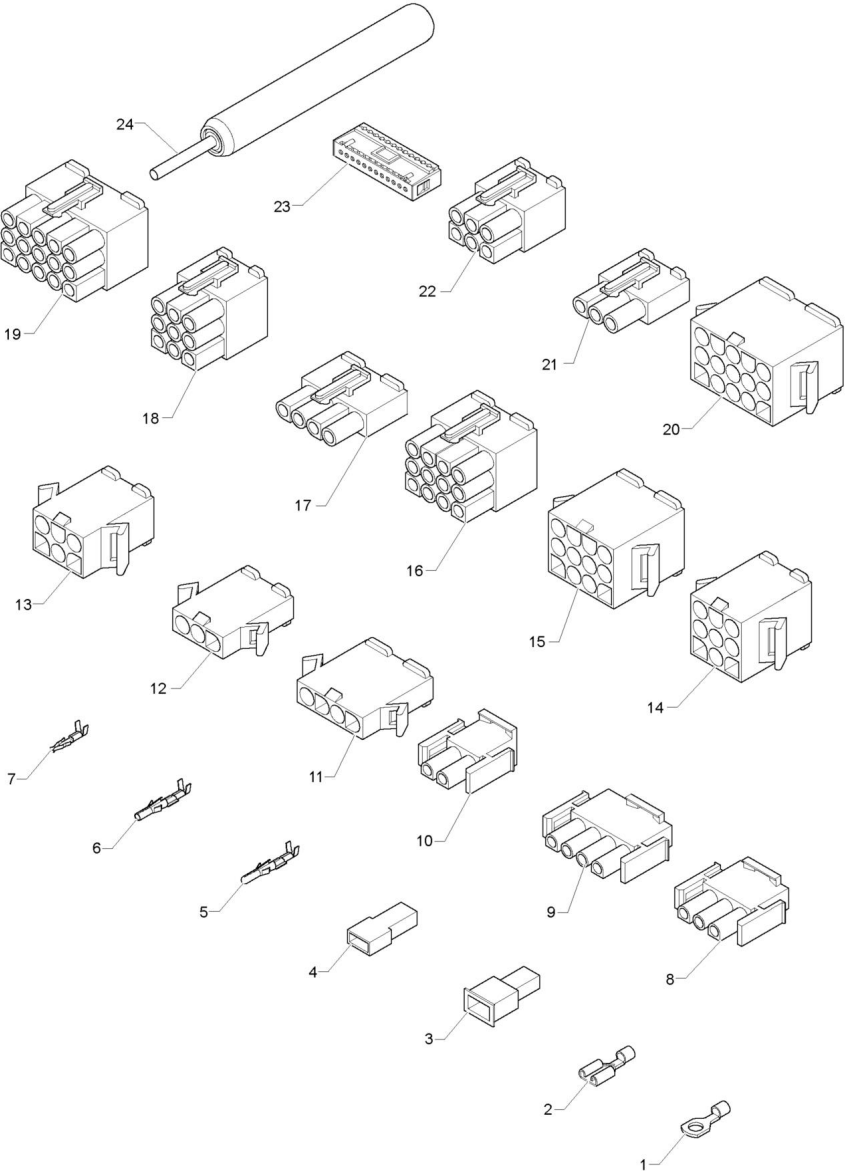
# CONCERTO - 220V 50HZ



Pos.	Item	Repl. by	Description	Notes	Price (EUR)
0001	255081		Z4000 GROUP CHAMBRE Ø46		205.92
0002	098688		PISTON RETURN SPRING		1.00
0003	255031		SELF-TAPPING SCREW 4,2X26		0.15
0004	255082		PISTON ROD MEDIUM		5.00
0005	254669		BOTTOM D.46		4.08
0006	0V0782		O-RING 2025		0.07
0007	254668		BREWING CHAMBER D.46		10.40
0008	254328		SCRAPER SPRING		3.42
0009	254677		UPPER SCRAPER D.46		6.22
0010	254673		PINION D.46		2.60
0011	254675		LEFT CRANK D.46		10.00
0012	254654		GUIDE SLIDING BLOCK		0.67
0013	096569		FIXING COLLAR DIAM 12		0.58
0014	254655		UPPER PISTON KEY		1.99
0015	254665		CONNECTING ROD D.46		6.83
0016	099457		WASHER		0.66
0017	255083		LOWER PISTON MEDIUM		7.04
0018	094508	259503	SCREW TS M4X10		0.14
0019	255034		PLAIN TIP SELF-TAPPING SCREW 4X12		0.08
0020	254671		UPPER PISTON CROSS-PIECE D.46		8.98
0021	254650		GASKET O-RING 1,9X2,4		0.26
0022	094611		GASKET O-RING 2018		0.08
0023	254672		UPPER PISTON D.46		12.04
0024	251757		SILICONE OR SEAL GASKET		2.95
0025	251755		DIAM. 42 COFFEE FILTER		3.77
0026	254676		LOWER SCRAPER D.46		3.83
0027	254678		RH-LH SUPPORT D.46		28.56
0028	254795		COFFEE DISPENSING SPOUT		1.85
0029	254674		RIGHT CRANK D.46		10.00
0030	098818		STOPPING RING D.4		0.14
0031	254670		PISTON ROD GUIDE D.46		4.28
0032	254552		RATIOMOTOR 24V		80.00
0033	298173		MICRO WITH WIRING		10.40
0034	253220		LEVER SPRING		0.41
0035	254805		Z4000 D.46 GROUP COUPLER		6.12

Pos.	Item	Repl. by	Description	Notes	Price (EUR)
0036	254804		Z4000 D.46 INTERFACE PLATE		22.95
0037	254667		RETAINER WASHER		2.96
0038	254847		COVER Z4000		15.30

# CONCERTO - 220V 50HZ



Pos.	Item	Repl. by	Description	Notes	Price (EUR)
0001	090957		EYELET TERMINAL		0.16
0002	090959		FASTON W/O TONGUE		
0003	091192		FASTON COVER		0.16
0004	090247		FEMALE FASTON COVER		0.14
0005	095955		TERMINAL MALE		0.14
0006	096136		TERMINAL FEMALE		0.18
0007	094405		TERMINAL FEMALE 2,5		0.08
0008	094954		FEMALE HOLDER CONNECTOR 3-WAYS		2.55
0009	098062		4-WAY CONNECTOR MATE-N-LOK AMP		0.95
0010	094955		FEMALE HOLDER CONNECTOR 2-WAYS		0.41
0011	0V0809		4-PIN CONNECTOR/P MOLEX 3191		0.92
0012	0V0808		3-PIN CONNECTOR/P MOLEX 3191		0.72
0013	0V0810		6-PIN CONNECTOR/P MOLEX 3191		1.26
0014	0V0811		9-PIN CONNECTOR/P MOLEX 3191		1.10
0015	0V0812		12-PIN CONNECTOR/P MOLEX 3191		1.85
0016	0V0818		12-PIN CONNECTOR/P MOLEX 3191		
0017	0V0815		4-PIN CONNECTOR/P MOLEX 3191		1.02
0018	0V0817		9-PIN CONNECTOR/P MOLEX 3191		1.14
0019	0V0819		15-PIN CONNECTOR/P MOLEX 3191		2.19
0020	0V0813		15-PIN CONNECTOR/P MOLEX 3191		1.85
0021	0V0814		3-PIN CONNECTOR/P MOLEX 3191		0.62
0022	0V0816		6-PIN CONNECTOR/P MOLEX 3191		
0023	094961		FEMALE HOLDER CONNECTOR P.I. 12-W		1.12
0024	0V0820		MOLEX CONTACT PULLER		55.08